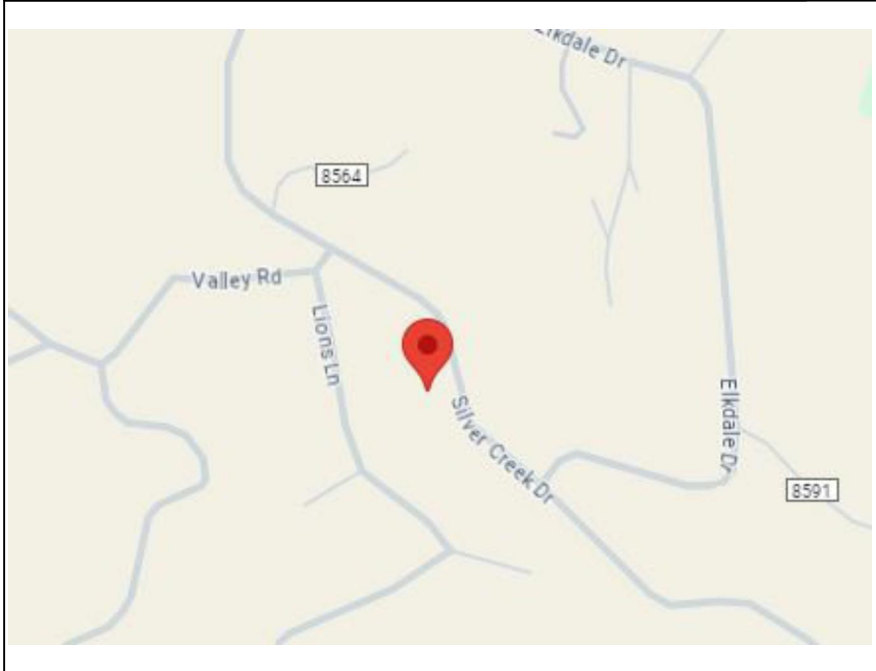
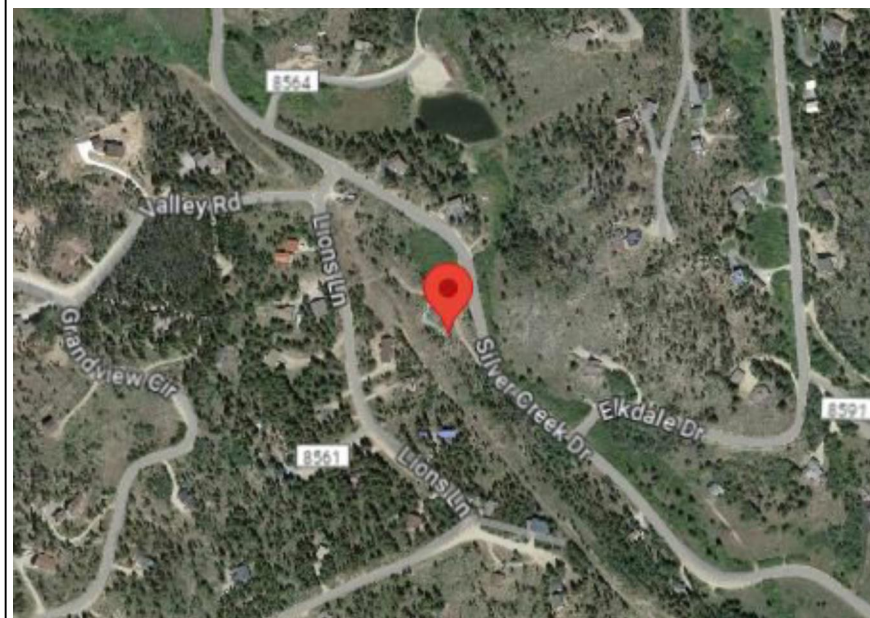


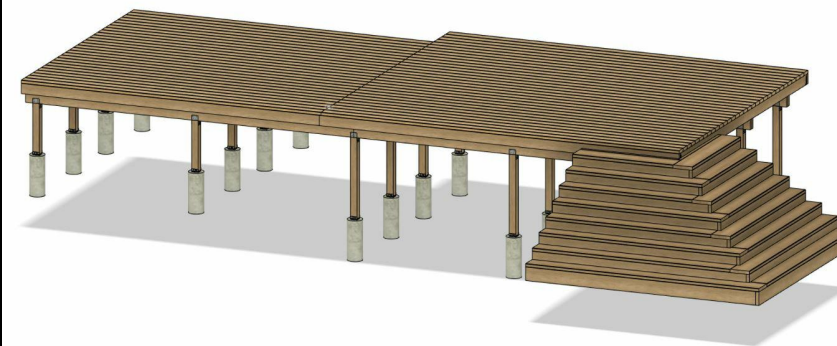
**Location Maps:**



**Aerial View:**



**Deck Preview:**



**General Notes:**

Blank area for general notes.

**Scope of work:**

DECK CONSTRUCTION FOR EXISTING BUILDING

**Index:**

- 01: COVER PAGE
- 02: FOUNDATION PLAN
- 03: ATTACHMENT PLAN -1
- 04: ATTACHMENT PLAN -2
- 05: TREX LAYOUT
- 06: STAIR LAYOUT
- 07: STAIR VIEWS
- 08: BILL OF MATERIALS

**Contractor Info**



**Project Type - Photovoltaic**

**Project Location:**

PROJ-2  
3210 Silver Creek Dr. Tabernash CO

EMAIL: - NA  
TEL: - NA

File Name:  
3210 SILVER\_COVER PAGE

Sheet Number and Title:  
01- COVER PAGE

Sheet Size:  
ANSI full bleed B (17.00 x 11.00 Inches)

**Drawing history**

no.	drawn by	revision	date
----	VA	----	10/15/2024

**Design**

----  
----  
----  
----

A  
B  
C  
D  
E  
F  
G

Contractor Info



Project Type - Photovoltaic

Project Location:

PROJ-2  
3210 Silver Creek Dr. Tabernash CO

EMAIL: - NA  
TEL: - NA

File Name:  
3210 SILVER\_ FOUNDATION PLAN

Sheet Number and Title:  
02 - FOUNDATION PLAN

Sheet Size:  
ANSI full bleed B (17.00 x 11.00 Inches)

Drawing history

no.	drawn by	revision	date
----	VA	----	10/15/2024

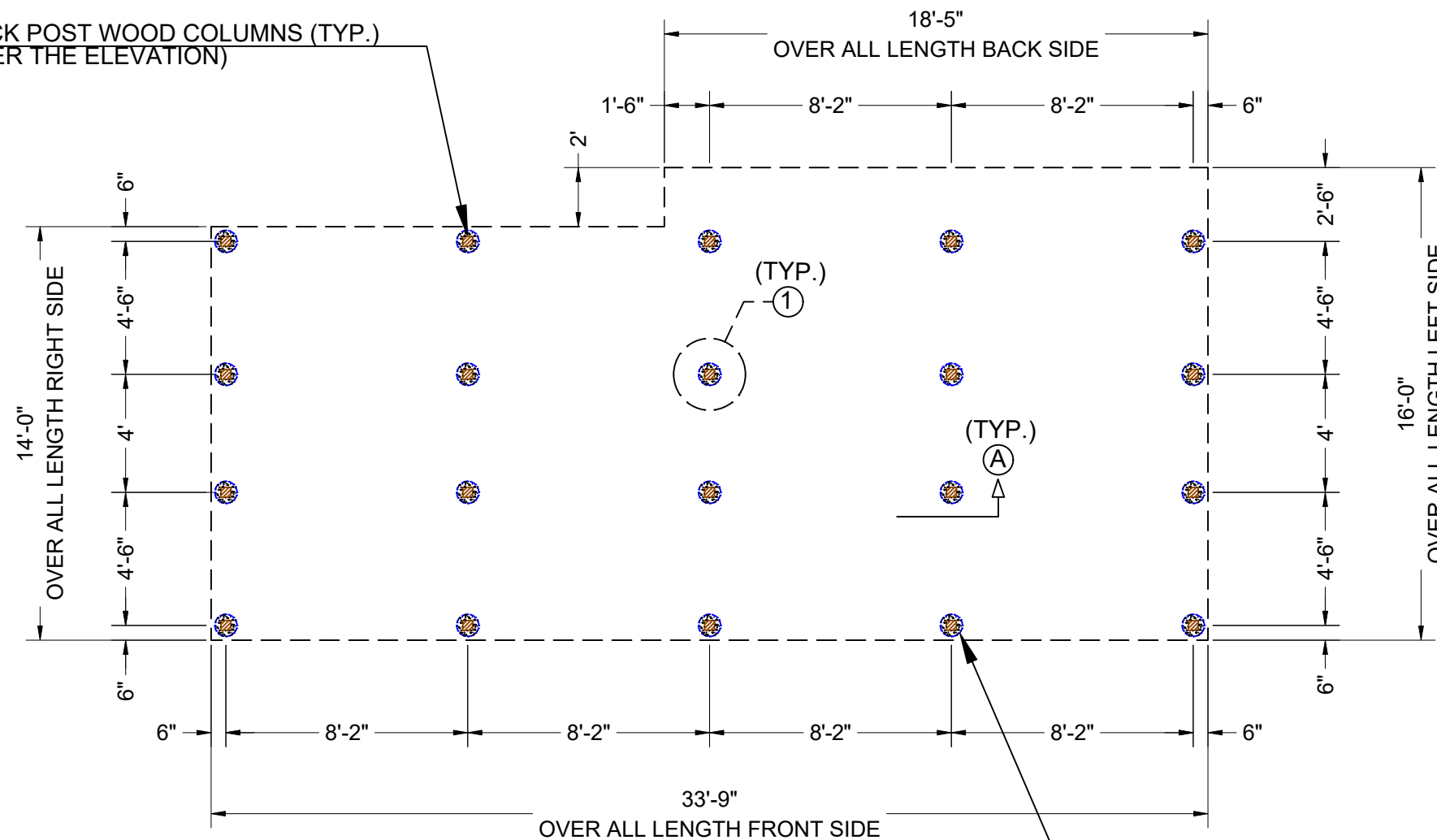
Design

----  
----  
----  
----

(20) NO'S 4"x 4"x 8' DECK POST WOOD COLUMNS (TYP.)  
(LENGTH VARIES AS PER THE ELEVATION)



FOUNDATION CONNECTION



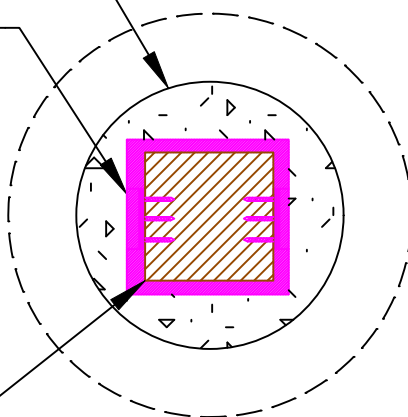
DECK FOUNDATION PLAN

9" DIA x 24" CIRCULAR CONCRETE FOOTING BELOW (TYP.)

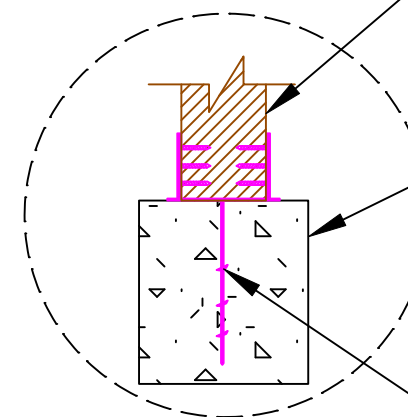
9" DIA x 24" CIRCULAR CONCRETE FOOTING BELOW (TYP.)

(20) NO'S 4"x 4"x 24" STEEL DECK POST ANCHORS (TYP.)  
(BELOW THE DECK POST WOOD COLUMNS)

(20) NO'S 4"x 4"x 8' DECK POST WOOD COLUMNS (TYP.)  
(LENGTH VARIES AS PER THE ELEVATION)



DETAIL '1'



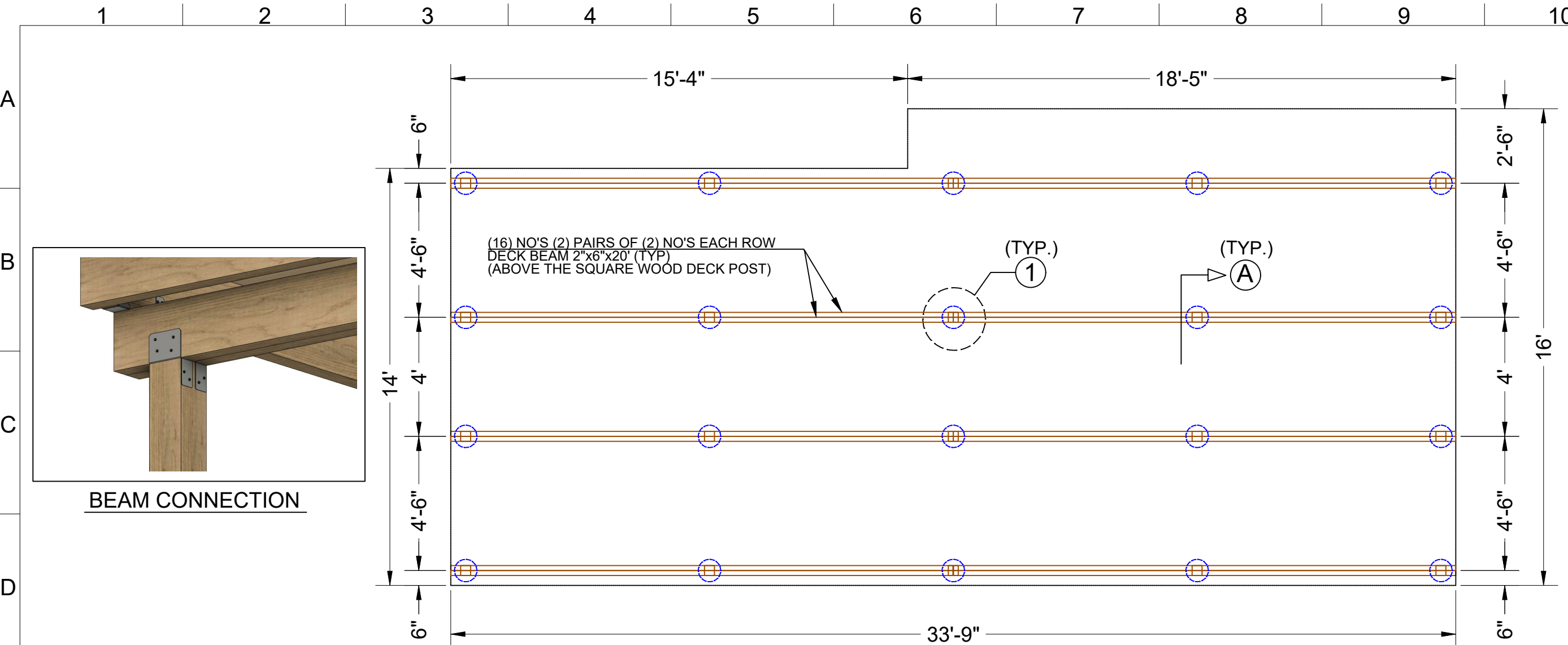
SECTION 'A'

9" DIA x 24" CIRCULAR CONCRETE FOOTING BELOW (TYP.)

(20) NO'S 4"x 4"x 8' DECK POST WOOD COLUMNS (TYP.)  
(LENGTH VARIES AS PER THE ELEVATION)

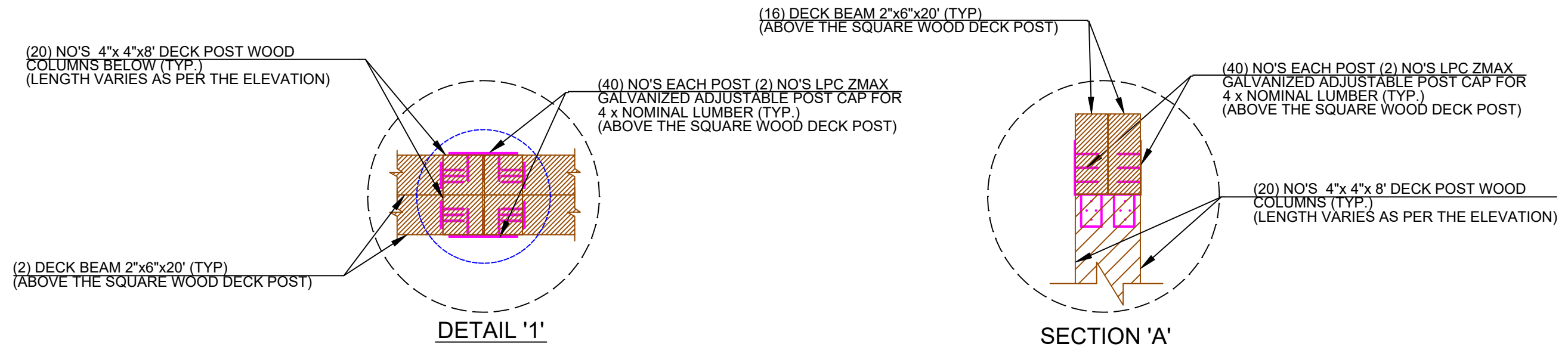
(20) NO'S 4"x 4"x 24" STEEL DECK POST ANCHORS (TYP.)

SECTION DETAILS



**BEAM CONNECTION**

**ATTACHMENTS PLAN 1**

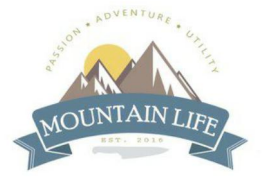


**DETAIL '1'**

**SECTION 'A'**

**SECTION DETAILS**

**Contractor Info**



**Project Type - Photovoltaic**

**Project Location:**

PROJ-2  
3210 Silver Creek Dr. Tabernash CO  
EMAIL: - NA  
TEL: - NA

File Name:  
3210 SILVER\_DECK ATTACHMENTS PLAN

Sheet Number and Title:  
03 - ATTACHMENTS PLAN -1

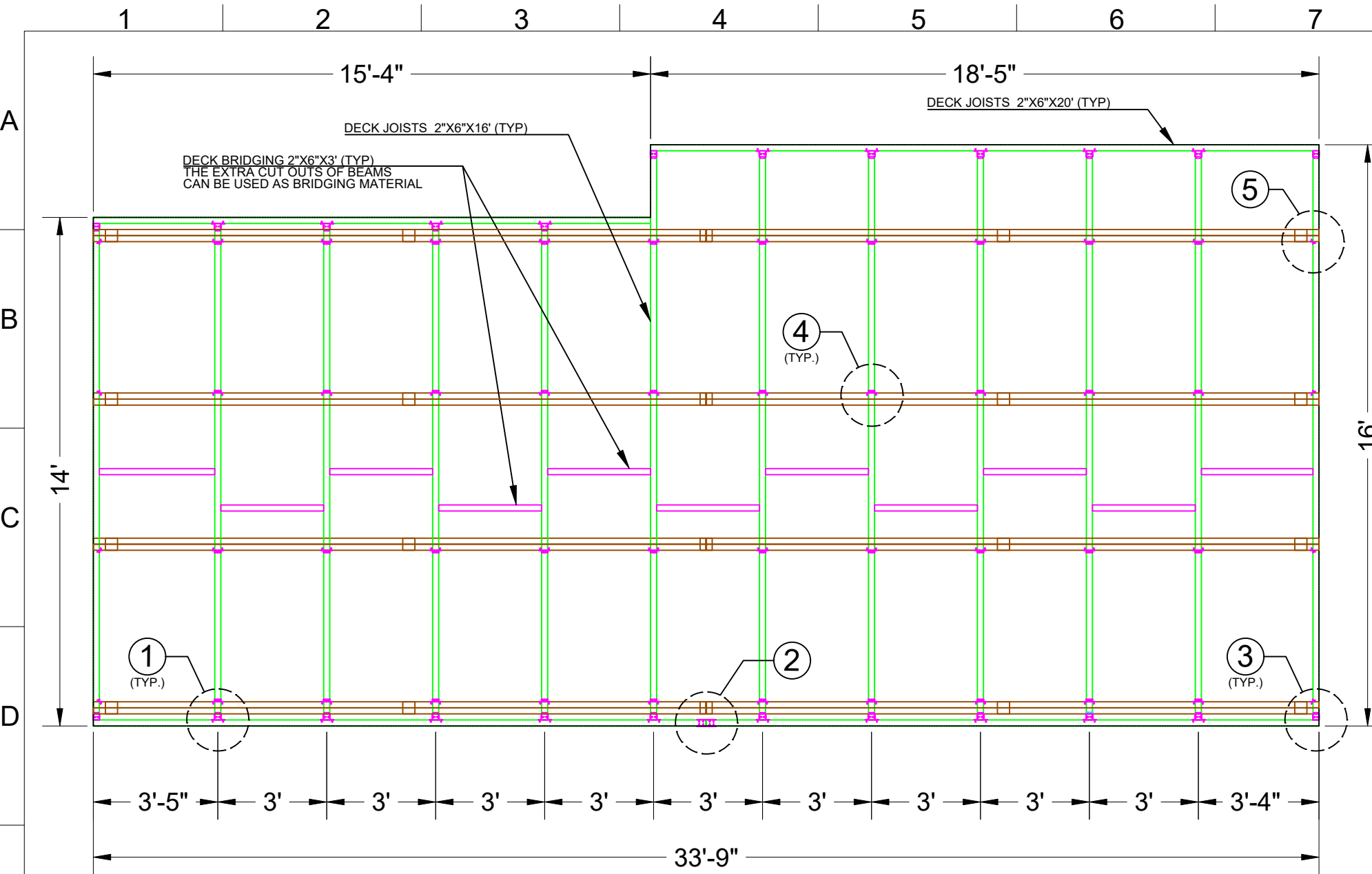
Sheet Size:  
ANSI full bleed B (17.00 x 11.00 Inches)

**Drawing history**

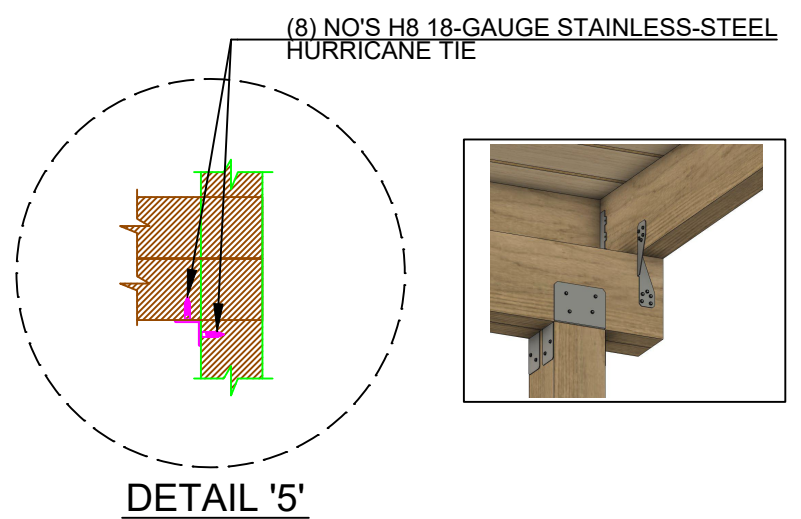
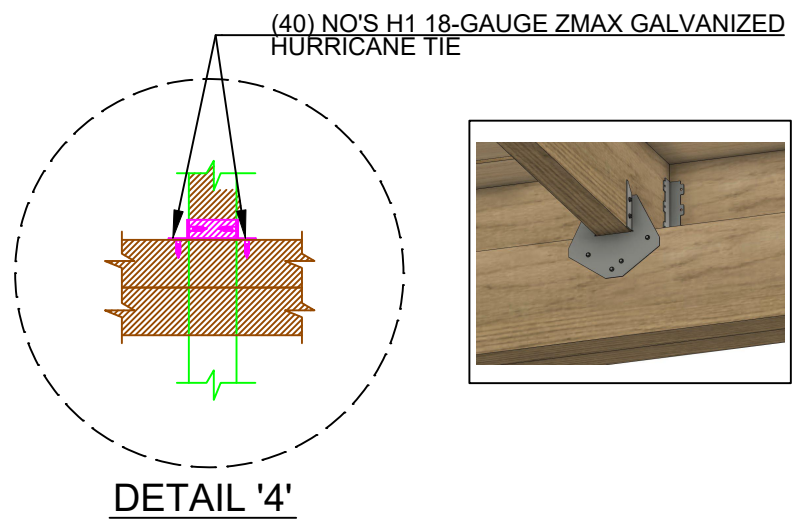
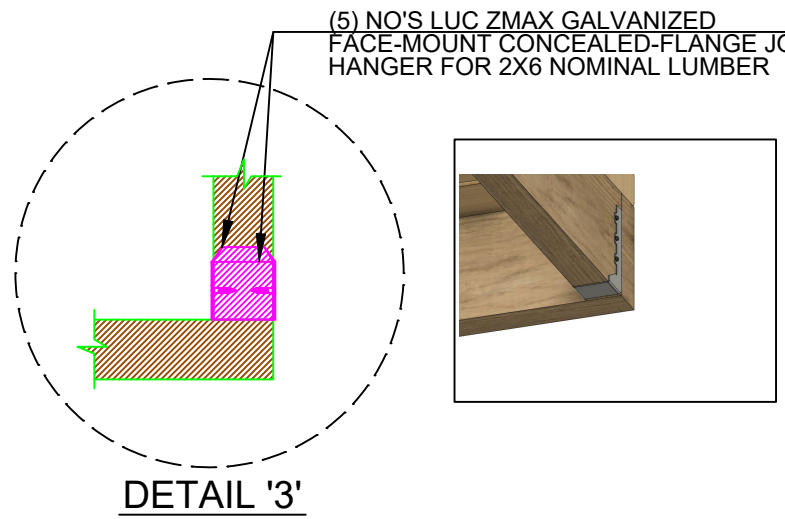
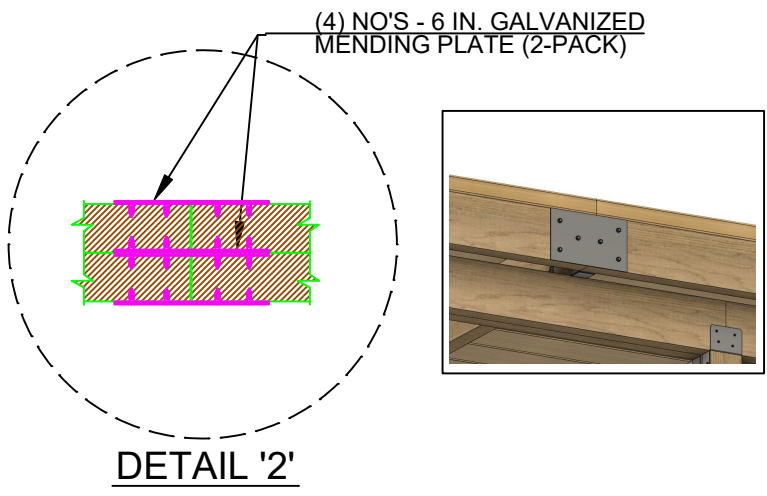
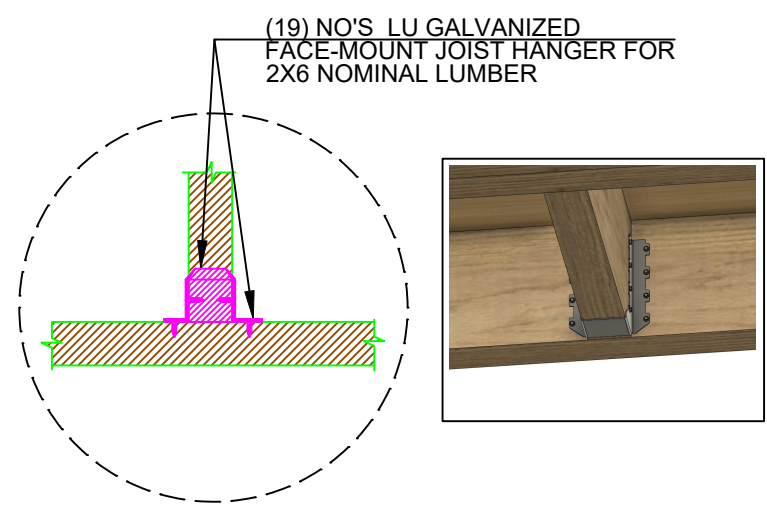
no.	drawn by	revision	date
----	VA	----	10/15/2024

**Design**

- 
- 
- 
-



**ATTACHMENTS PLAN - 2**



**Contractor Info**



**Project Type - Photovoltaic**

**Project Location:**

PROJ-2  
3210 Silver Creek Dr. Tabernash CO

EMAIL: - NA  
TEL: - NA

File Name:  
3210 SILVER\_DECK ATTACHMENTS PLAN

Sheet Number and Title:  
04 - ATTACHMENTS PLAN - 2

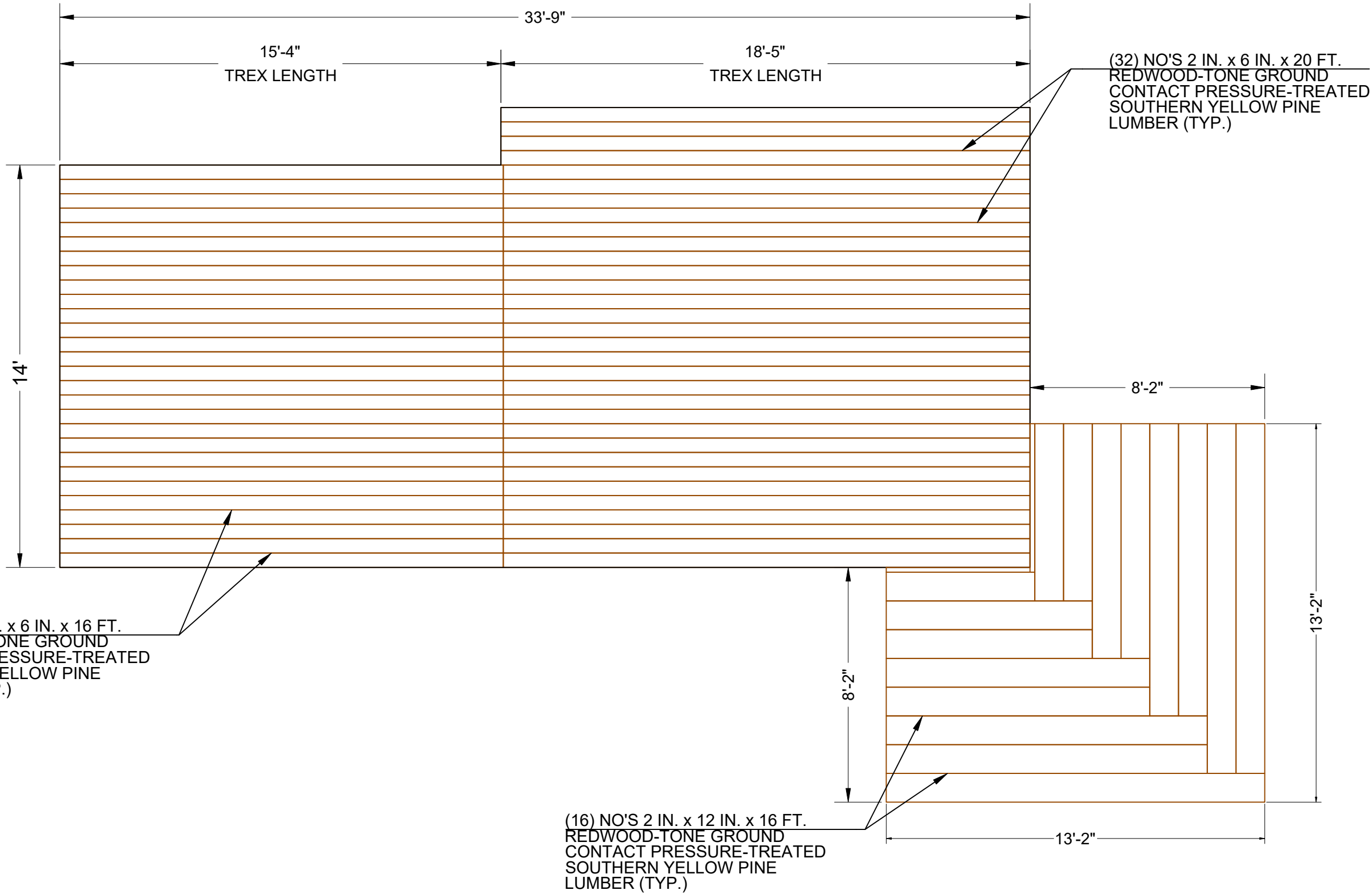
Sheet Size:  
ANSI full bleed B (17.00 x 11.00 Inches)

**Drawing history**

no.	drawn by	revision	date
----	VA	----	10/15/2024

**Design**

- 
- 
- 
-



(28) NO'S 2 IN. x 6 IN. x 16 FT.  
REDWOOD-TONE GROUND  
CONTACT PRESSURE-TREATED  
SOUTHERN YELLOW PINE  
LUMBER (TYP.)

(32) NO'S 2 IN. x 6 IN. x 20 FT.  
REDWOOD-TONE GROUND  
CONTACT PRESSURE-TREATED  
SOUTHERN YELLOW PINE  
LUMBER (TYP.)

(16) NO'S 2 IN. x 12 IN. x 16 FT.  
REDWOOD-TONE GROUND  
CONTACT PRESSURE-TREATED  
SOUTHERN YELLOW PINE  
LUMBER (TYP.)

(NOTE FOR DIMENSIONS REFER  
STAIR LAYOUT SHEET)

TREX LAYOUT

Contractor Info



Project Type - Photovoltaic

Project Location:

PROJ-2  
3210 Silver Creek Dr. Tabernash CO  
  
EMAIL: - NA  
TEL: - NA

File Name:  
3210 SILVER\_DECK TREX LAYOUT

Sheet Number and Title:  
05 -TREX LAYOUT

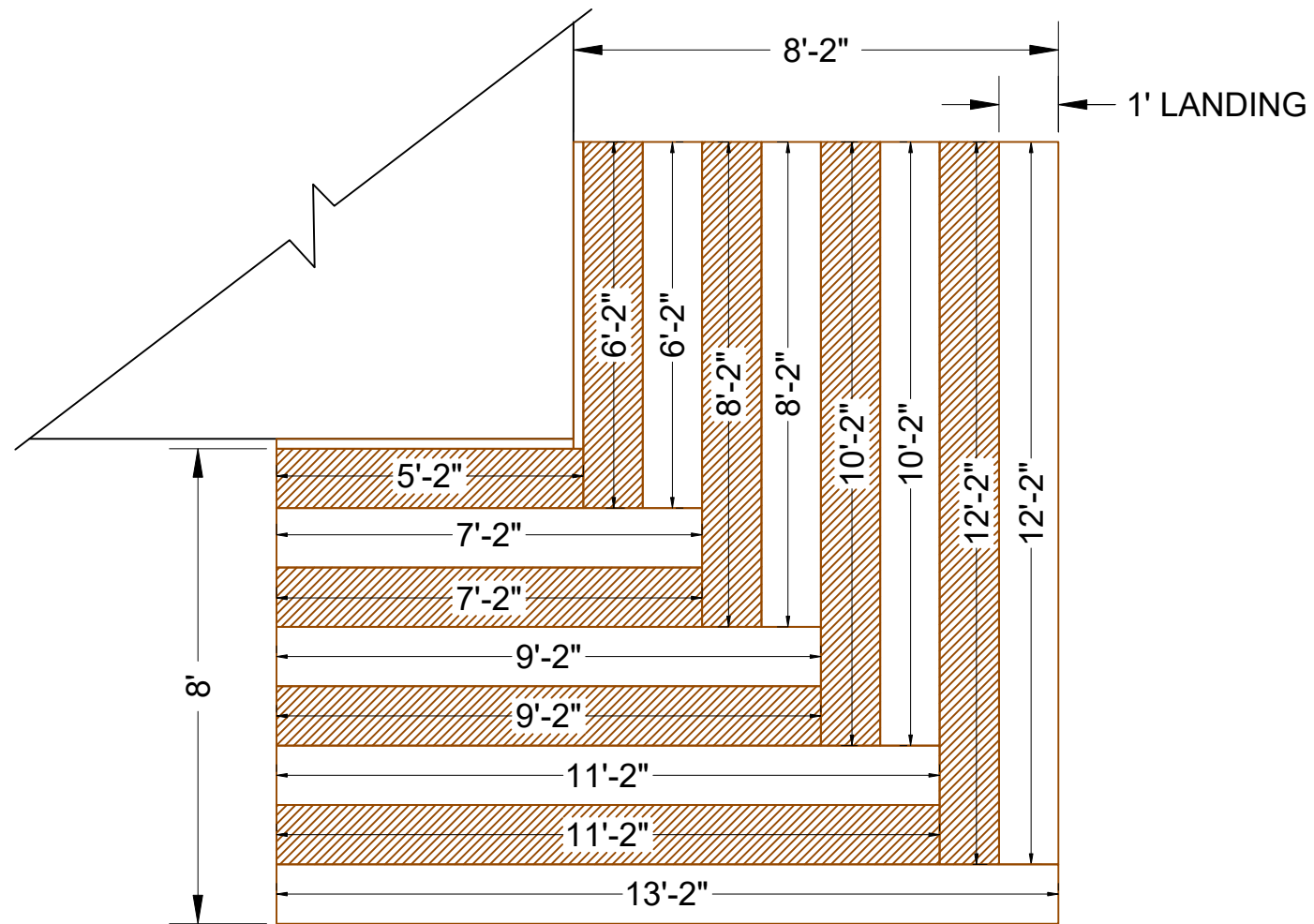
Sheet Size:  
ANSI full bleed B (17.00 x 11.00 Inches)

Drawing history

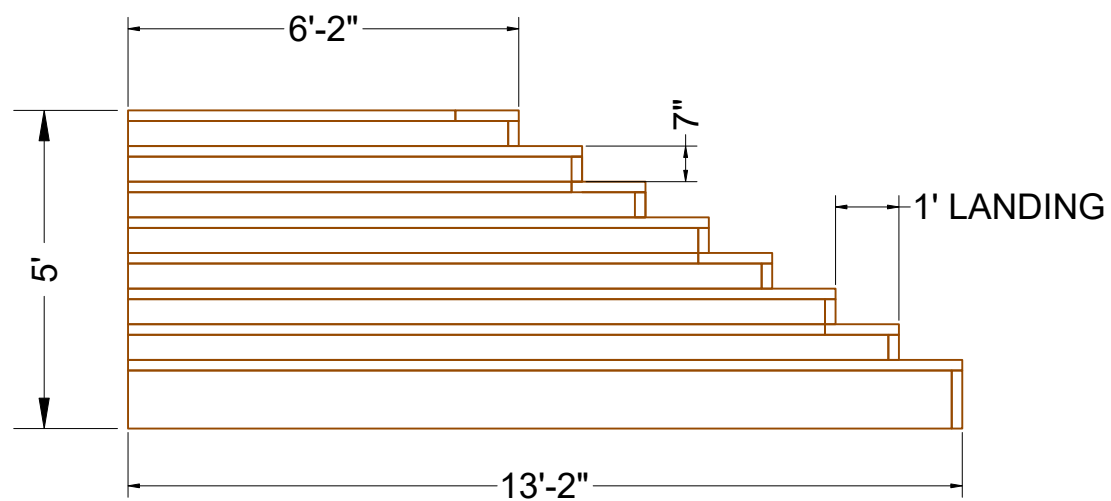
no.	drawn by	revision	date
---	VA	---	10/15/2024

Design

---  
---  
---  
---

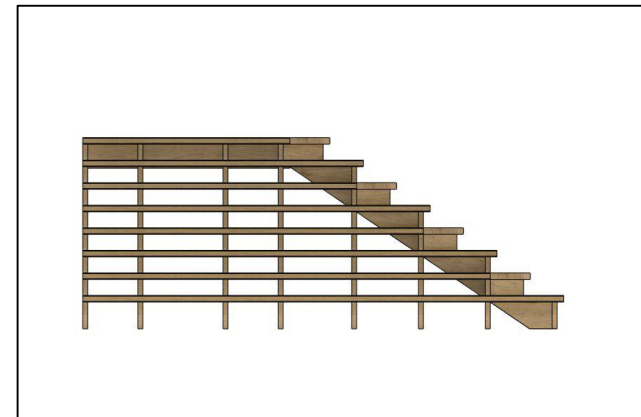


STAIR PLAN

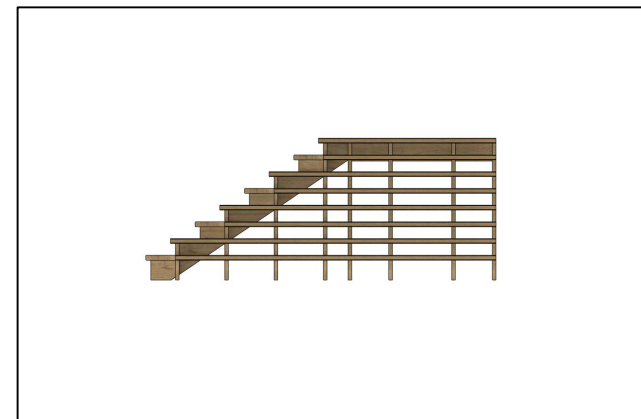


ELEVATION

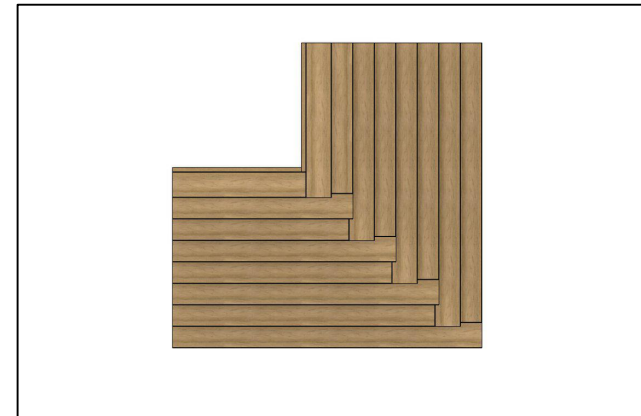
STAIR DETAIL VIEWS



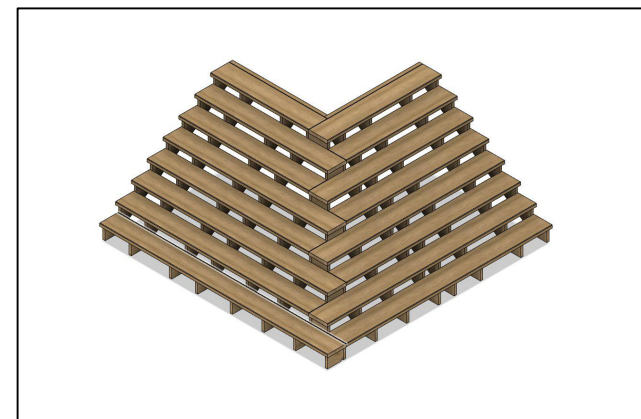
VIEW -1



VIEW -2



VIEW -3



VIEW -4

Contractor Info



Project Type - Photovoltaic

Project Location:

PROJ-2  
3210 Silver Creek Dr. Tabernash CO

EMAIL: - NA  
TEL: - NA

File Name:  
3210 SILVER\_DECK STAIR LAYOUT

Sheet Number and Title:  
06 - STAIR LAYOUT

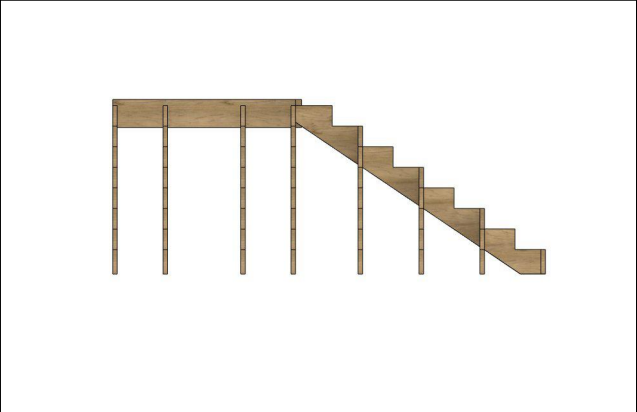
Sheet Size:  
ANSI full bleed B (17.00 x 11.00 Inches)

Drawing history

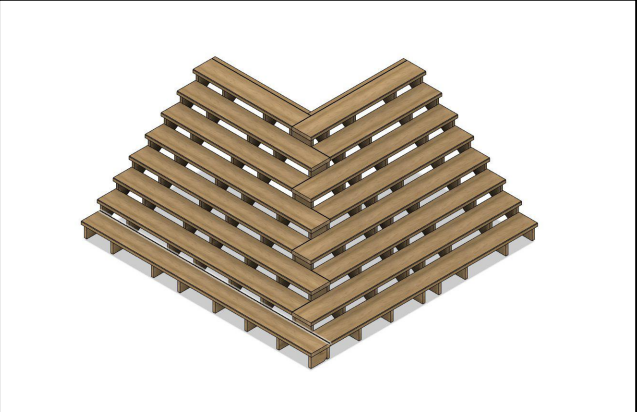
no.	drawn by	revision	date
----	VA	----	10/15/2024

Design

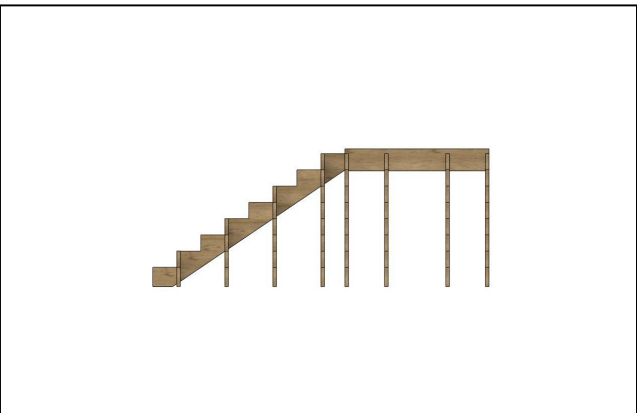
----  
----  
----  
----



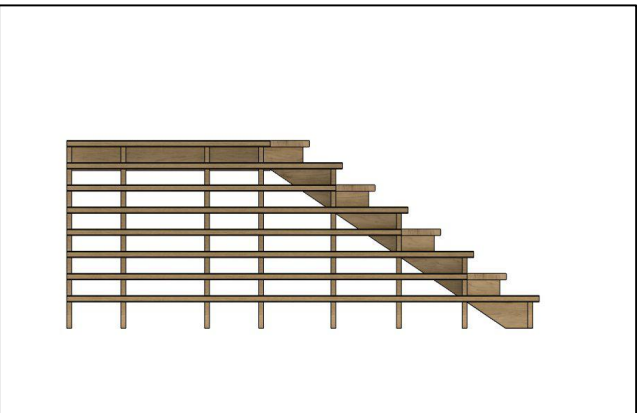
VIEW -1



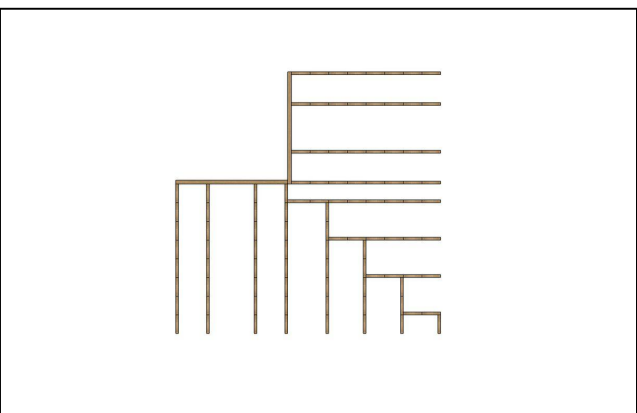
VIEW -5



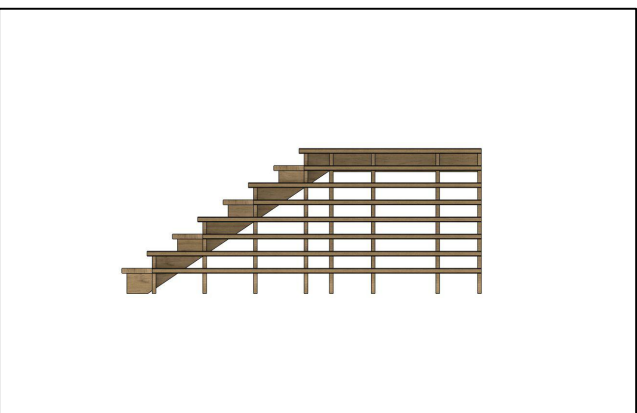
VIEW -2



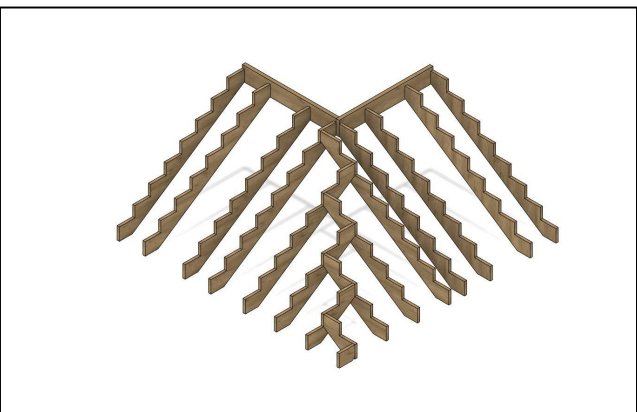
VIEW -6



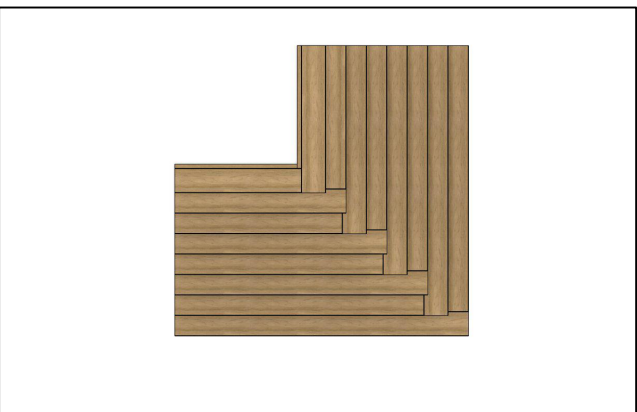
VIEW -3



VIEW -7



VIEW -4



VIEW -8

**Contractor Info**



**Project Type - Photovoltaic**

**Project Location:**

PROJ-2  
3210 Silver Creek Dr. Tabernash CO

EMAIL: - NA  
TEL: - NA

File Name:  
3210 SILVER\_DECK STAIR VIEWS

Sheet Number and Title:  
07- STAIR VIEWS

Sheet Size:  
ANSI full bleed B (17.00 x 11.00 Inches)

**Drawing history**

no.	drawn by	revision	date
----	VA	----	10/15/2024

**Design**

----

----

----

----

----

Contractor Info



Project Type - Photovoltaic

Project Location:

PROJ-2  
3210 Silver Creek Dr. Tabernash CO

EMAIL: - NA  
TEL: - NA

File Name:  
3210 SILVER\_DECK BILL OF MATERIALS

Sheet Number and Title:  
08- BILL OF MATERIALS

Sheet Size:  
ANSI full bleed B (17.00 x 11.00 Inches)

Drawing history

no.	drawn by	revision	date
----	VA	----	10/15/2024

Design

----  
----  
----  
----

DECK BILL OF MATERIALS

SL NO.	PART	COMPONENT	DISCRIPTION	QUANTITY	PER QUANTITY MSRP COST	TOTAL COST	PURCHASE LINKS & DOCUMENTS
1.	DECK BEAM	DECKING BEAM - (Model # 263826) 2 in. x 6 in. x 20 ft. #1 Ground Contact Pressure Treated Redwood-Tone Pine Lumber	A 2 pairs of beams , placed in a landscape orientation on to the vertical square post (total 8 pairs) refer attachent plan 1 (Shown in Brown colour)	16	\$26.18	\$418.88	<a href="https://www.homedepot.com/p/2-in-x-6-in-x-20-ft-1-Ground-Contact-Pressure-Treated-Redwood-Tone-Pine-Lumber-263826/324972277">https://www.homedepot.com/p/2-in-x-6-in-x-20-ft-1-Ground-Contact-Pressure-Treated-Redwood-Tone-Pine-Lumber-263826/324972277</a>
2.	SUPPORTING POSTS	DECK POSTS - (Model # 194356) 4 in. x 4 in. x 8 ft.#2 Ground Contact SYP Redwood-Tone Pressure-Treated Timber	20 Nos to support the deck platform from the ground. Directioning from Ground to the vertically to Deck beam	20	\$11.38	\$227.60	<a href="https://www.homedepot.com/p/4-in-x-4-in-x-8-ft-2-Ground-Contact-SYP-Redwood-Tone-Pressure-Treated-Timber-194356/205220205">https://www.homedepot.com/p/4-in-x-4-in-x-8-ft-2-Ground-Contact-SYP-Redwood-Tone-Pressure-Treated-Timber-194356/205220205</a>
3.	DECK JOISTS	DECK JOIST- (Model # 253904) 2 in. x 6 in. x 16 ft. 1 Redwood-Tone Ground Contact Pressure-Treated Southern Yellow Pine Lumber	12 numbers of joist placed in a portrait orientation perpendicular to the beams , (Shown in Cyan colour)	12	\$18.58	\$222.96	<a href="https://www.homedepot.com/p/WeatherShield-2-in-x-6-in-x-16-ft-1-Redwood-Tone-Ground-Contact-Pressure-Treated-Southern-Yellow-Pine-Lumber-253904/206967761">https://www.homedepot.com/p/WeatherShield-2-in-x-6-in-x-16-ft-1-Redwood-Tone-Ground-Contact-Pressure-Treated-Southern-Yellow-Pine-Lumber-253904/206967761</a>
4.	SUPPORTING JOISTS	DECK SUPPORTING JOIST - (Model # 263826) in. x 6 in. x 20 ft. #1 Ground Contact Pressure Treated Redwood-Tone Pine Lumber	4 Nos of Supporting Joist on the corner in landscape orientation	4	\$26.18	\$104.72	<a href="https://www.homedepot.com/p/2-in-x-6-in-x-20-ft-1-Ground-Contact-Pressure-Treated-Redwood-Tone-Pine-Lumber-263826/324972277">https://www.homedepot.com/p/2-in-x-6-in-x-20-ft-1-Ground-Contact-Pressure-Treated-Redwood-Tone-Pine-Lumber-263826/324972277</a>
5.	DECK TREX TYPE 1	DECKING TREX - (Model # 263826) 2 in. x 6 in. x 20 ft. #1 Ground Contact Pressure Treated Redwood-Tone Pine Lumber	32 Nos of 20ft Trex , to be used as the actual landing platform ( Shown in Trex Layout sheet)	32	\$26.18	\$837.76	<a href="https://www.homedepot.com/p/2-in-x-6-in-x-20-ft-1-Ground-Contact-Pressure-Treated-Redwood-Tone-Pine-Lumber-263826/324972277">https://www.homedepot.com/p/2-in-x-6-in-x-20-ft-1-Ground-Contact-Pressure-Treated-Redwood-Tone-Pine-Lumber-263826/324972277</a>
6.	DECK TREX TYPE 2	DECKING TREX - (Model # 253904) 2 in. x 6 in. x 16 ft. 1 Redwood-Tone Ground Contact Pressure-Treated Southern Yellow Pine Lumber	28 Nos of 16ft Trex , to be used as the actual landing platform ( Shown in Trex Layout sheet)	28	\$18.58	\$520.24	<a href="https://www.homedepot.com/p/WeatherShield-2-in-x-6-in-x-16-ft-1-Redwood-Tone-Ground-Contact-Pressure-Treated-Southern-Yellow-Pine-Lumber-253904/206967761">https://www.homedepot.com/p/WeatherShield-2-in-x-6-in-x-16-ft-1-Redwood-Tone-Ground-Contact-Pressure-Treated-Southern-Yellow-Pine-Lumber-253904/206967761</a>
7.	POST ANCHORS	POST ANCHORS - (Model # TIDF442600) 4 in. x 4 in. to 24 in. Steel Deck Foot Anchor	20 Nos of Anchors post , to hold the post on the concrete foundation	20	\$70.00	\$1,400.00	<a href="https://www.homedepot.com/p/4-in-x-4-in-to-24-in-Steel-Deck-Foot-Anchor-TIDF442600/315703225">https://www.homedepot.com/p/4-in-x-4-in-to-24-in-Steel-Deck-Foot-Anchor-TIDF442600/315703225</a>
8.	POST CAPS	LPC ZMAX Galvanized Adjustable Post Cap for 4x Nominal Lumber - (Model # LPC4Z)	40 NOs Of Post caps used to attach the post to the Deck beams . shown in Attachments plan -1 in detail section	40	\$5.58	\$223.20	<a href="https://www.homedepot.com/p/Simpson-Strong-Tie-LPC-ZMAX-Galvanized-Adjustable-Post-Cap-for-6x-Nominal-Lumber-LPC6Z/100375028">https://www.homedepot.com/p/Simpson-Strong-Tie-LPC-ZMAX-Galvanized-Adjustable-Post-Cap-for-6x-Nominal-Lumber-LPC6Z/100375028</a>
9.	JOIST HANGERS	LU Galvanized Face-Mount Joist Hanger for 2x6 Nominal Lumber - (Model # LU26)	19 Nos of joist hnager to connect the Joist to the structural frame Shown in Attachments plan - 2 (DETAIL -1)	19	\$0.76	\$14.44	<a href="https://www.homedepot.com/p/Simpson-Strong-Tie-LU-Galvanized-Face-Mount-Joist-Hanger-for-2x6-Nominal-Lumber-LU26/203302254">https://www.homedepot.com/p/Simpson-Strong-Tie-LU-Galvanized-Face-Mount-Joist-Hanger-for-2x6-Nominal-Lumber-LU26/203302254</a>
10.	JOIST CONCEALED HANGERS	LUC ZMAX Galvanized Face-Mount Concealed-Flange Joist Hanger for 2x6 Nominal Lumber - (Model # LUC26Z)	5 Nos of joist hnager to connect the Joist to the structural frame, Shown in Attachments plan - 2 (DETAIL -3)	5	\$2.58	\$12.90	<a href="https://www.homedepot.com/p/Simpson-Strong-Tie-LUC-ZMAX-Galvanized-Face-Mount-Concealed-Flange-Joist-Hanger-for-2x6-Nominal-Lumber-LUC26Z/100506794">https://www.homedepot.com/p/Simpson-Strong-Tie-LUC-ZMAX-Galvanized-Face-Mount-Concealed-Flange-Joist-Hanger-for-2x6-Nominal-Lumber-LUC26Z/100506794</a>
11.	HURRICAN TIE (V SHAPED)	H1 18-Gauge ZMAX Galvanized Hurricane Tie - (Model # H1Z)	40 Nos of V shaped Hurricane tie are used to joint the Joist with the Deck beam Shown in Attachments plan - 2 (DETAIL -4)	40	\$1.28	\$51.20	<a href="https://www.homedepot.com/p/Simpson-Strong-Tie-H1-18-Gauge-ZMAX-Galvanized-Hurricane-Tie-H1Z/100374935">https://www.homedepot.com/p/Simpson-Strong-Tie-H1-18-Gauge-ZMAX-Galvanized-Hurricane-Tie-H1Z/100374935</a>
12.	HURRICAN TIE (HELIX SHAPED)	H8 18-Gauge Stainless-Steel Hurricane Tie - (Model # H8SS)	8 Nos Helix shaped Hurrican tie used on join Joist and the beam in the corner Shown in Attachments plan - 2 (DETAIL -5)	8	\$9.13	\$73.04	<a href="https://www.homedepot.com/p/Simpson-Strong-Tie-H8-18-Gauge-Stainless-Steel-Hurricane-Tie-H8SS/205324375">https://www.homedepot.com/p/Simpson-Strong-Tie-H8-18-Gauge-Stainless-Steel-Hurricane-Tie-H8SS/205324375</a>
13.	STRAIGHT JOIN PLATES	6 in. Galvanized Mending Plate (2-Pack)	4 Nos , 1 pair on neither faces to join the deck beam in the front portion Shown in Attachments plan - 2 (DETAIL -2)	2	\$5.92	\$11.84	<a href="https://www.homedepot.com/p/Everbilt-6-in-Galvanized-Mending-Plate-2-Pack-20072/320037939">https://www.homedepot.com/p/Everbilt-6-in-Galvanized-Mending-Plate-2-Pack-20072/320037939</a>
NOTE: ENTIRE BOM WAS GENERATED BASED ON ENGINEERING CALCULATIONS AND DESIGN.				NUMBER OF COMPONENTS	SUB TOTAL		\$4,118.78
					DELIVERY COST		\$79.00
NOTE: THE NUMBERS AND THE SIZE OF HANGERS SCREWS AND THE DECKING SCREWS WAS NOT ANALYSED ACCURATELY , THIS COULD BE ACCURATELY DECIDED ON-SITE BASED ON THE REQUIREMENTS.				246	SAVINGS		-\$1.52
					TOTAL COST		\$4,196.26